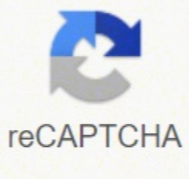




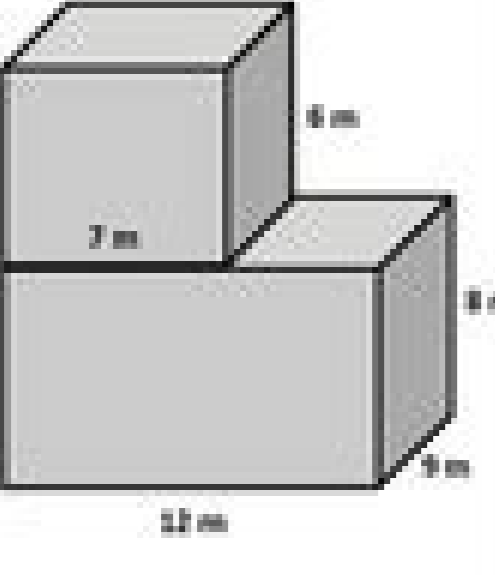
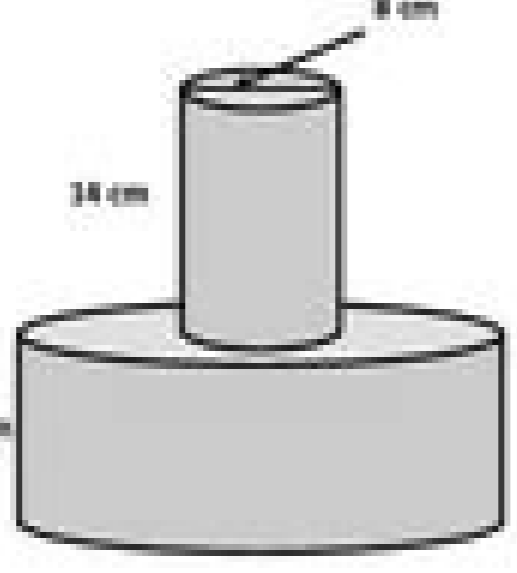

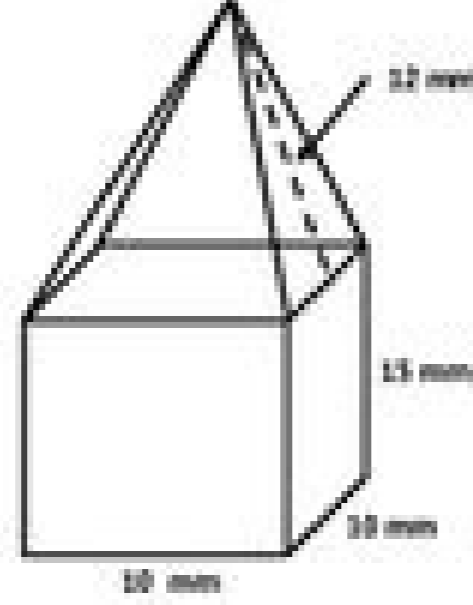
I'm not robot



**Open**

Name \_\_\_\_\_ Date \_\_\_\_\_ Period \_\_\_\_\_

Volume of Composite Figures

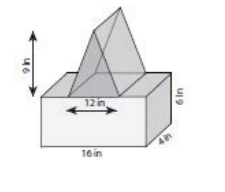
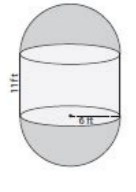
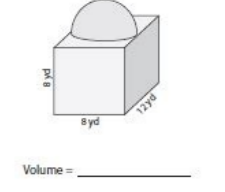
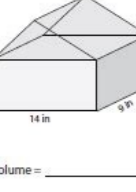
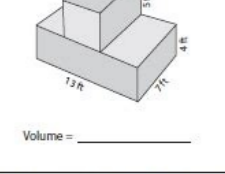
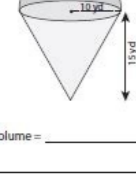
<p>1. Find the volume of the composite figure.</p>  <p><math>V =</math> _____</p>	<p>2. Find the volume of the composite figure. The bottom cylinder has a diameter of 22 cm.</p>  <p><math>V =</math> _____</p>
<p>3. Find the volume of the composite figure. The cone is a square cone.</p>  <p><math>V =</math> _____</p>	<p>4. Find the volume of the composite figure. The pyramid is a square pyramid.</p>  <p><math>V =</math> _____</p>

© Houghton Mifflin Harcourt Publishing Company

Name \_\_\_\_\_ Score: \_\_\_\_\_

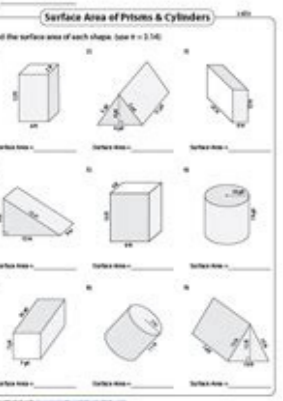
Volume - Compound Shapes

Find the volume of each figure. Round the answer to two decimal places. (Use  $\pi = 3.14$ )

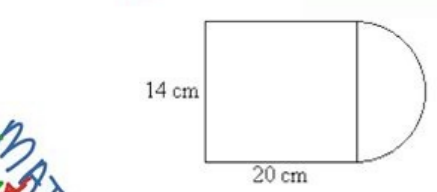
1)  Volume = _____	2)  Volume = _____
3)  Volume = _____	4)  Volume = _____
5)  Volume = _____	6)  Volume = _____

Printable Math Worksheets © www.mathworksheets4kids.com

Surface Area of Prisms & Cylinders



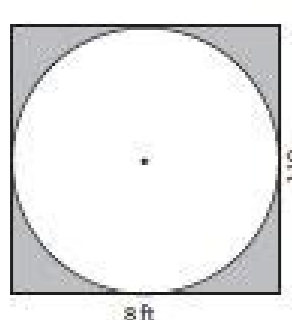
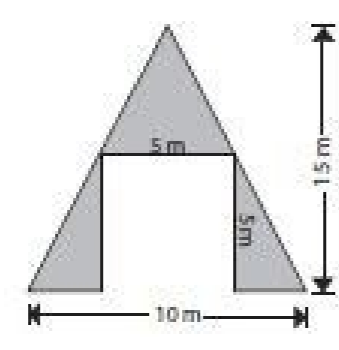
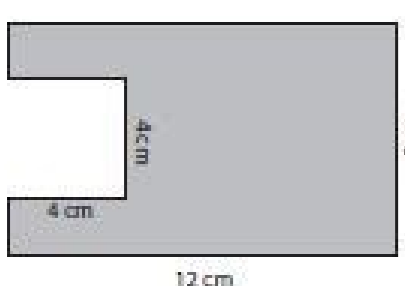
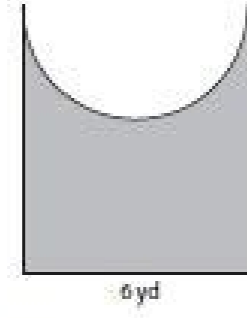
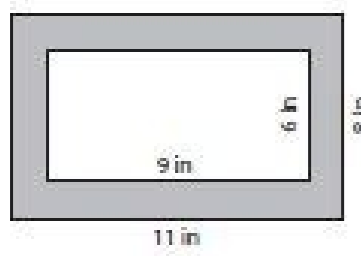
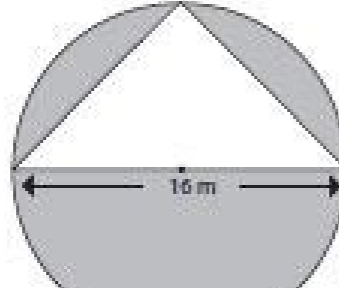
Thanks for Watching!!



Name: \_\_\_\_\_ Score: \_\_\_\_\_

Area - Compound Shapes

Find the area of shaded region. Round the answer to 2 decimal places if necessary.

<p>1)  Area = _____</p>	<p>2)  Area = _____</p>
<p>3)  Area = _____</p>	<p>4)  Area = _____</p>
<p>5)  Area = _____</p>	<p>6)  Area = _____</p>

Printable Math Worksheets © www.mathworksheets4kids.com

